

PLUG IN TYPE TERMINAL BLOCK

ETB 42,44 SERIES

PITCH=5.08mm (0.2inch)

FILE133988(R)

FEATURES

- Special wire protector design to ensure reliable wire clamping
- Be capable of clamping a wide range of wire diameters
- The male connector of plug using a twin leaf phosphor bronze contact mates with the female socket
- The female socket is mounted and soldered to the P.C.B.
- Good for insertion & withdrawal
- UL 94V-0 grade fire retardant engineering plastic used for the housing

SPECIFICATIONS

- Pitch: 5.08mm(0.2inch)
- Wire range: 12 AWG to 24 AWG
- Rated: 10 Amp, 300 VAC
- Housing material: Polyamide 66 (UL 94V-0) resin
- Terminals: Tin plated over Brass
- Screws: Zinc plated over Steel
- Wire cage: Nickel Plated over Zinc Alloy
- Wire protector: Tin plated over Brass
- Dielectric strength: 2000 VAC (Min.)
- Insulation resistance: 500 M Ω , 500 VDC



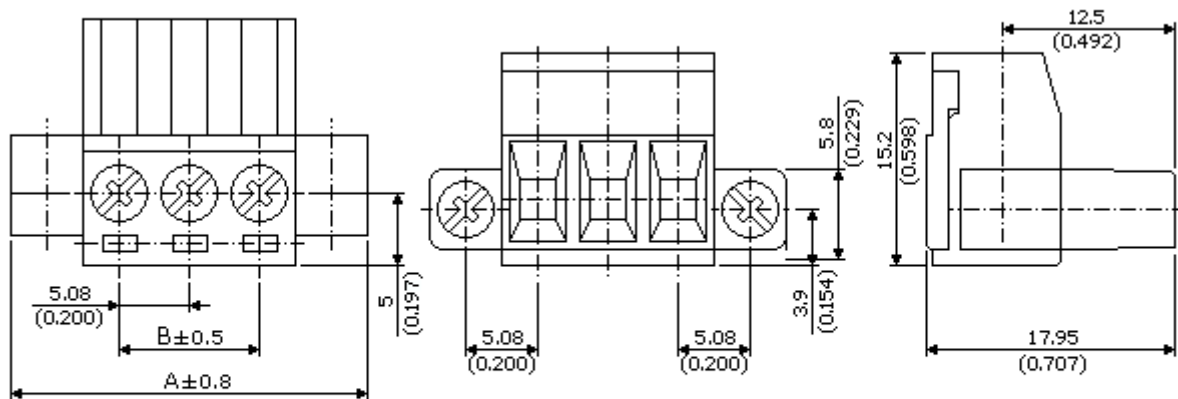
PART NUMBERING SYSTEM

ETB	42	XX	X	X	X	XX	Z	
								+--- Z:RoHS Compliant
								+--- Special number
								+--- Screw type
								0:"+" screw (for ETB42)
								1:"- " screw (for ETB42)
								0:No screw (for ETB44)
								+--- Housing color:
								B:Blue, G:Green, K:Black
								+--- Terminal type:
								0:Body type (for ETB42)
								1:Straight pin type (for ETB44)
								2:Right angle type (for ETB44)
								+--- Number of pins
								+--- Series: Dimensions and rated
								42:Male connector of plug alignment screw type (Pitch=5.08mm)
								44:Female socket threaded insert holes (Pitch=5.08mm)
								+--- Model

DRAWING

DIMENSIONS UNIT:mm(inch)

ETB42**0 SERIES



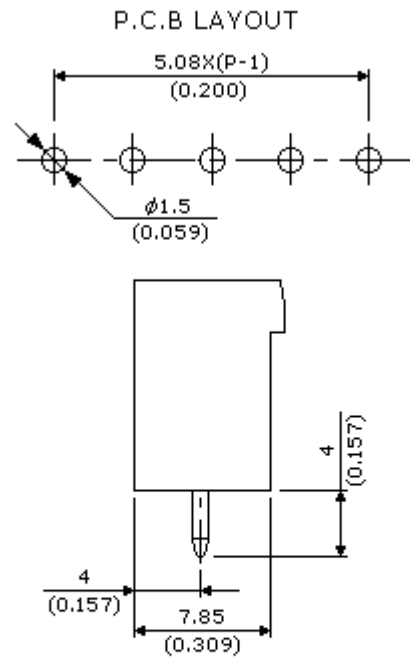
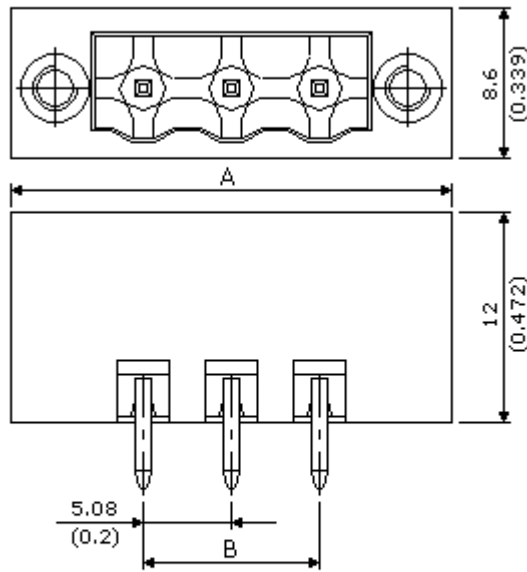
Pitch=5.08mm(0.2inch)

**NUMBER OF POLE 02~16.

POLE	2	3	4	5	6	7	8	9	10	11	12	13	14	15	16
$A \pm 0.8$	20.32 (0.800)	25.40 (1.000)	30.48 (1.200)	35.56 (1.400)	40.64 (1.600)	45.72 (1.800)	50.80 (2.000)	55.88 (2.200)	60.96 (2.400)	66.04 (2.600)	71.12 (2.800)	76.20 (3.000)	81.28 (3.200)	86.36 (3.400)	91.44 (3.600)
$B \pm 0.5$	5.08 (0.200)	10.16 (0.400)	15.24 (0.600)	20.32 (0.800)	25.40 (1.000)	30.48 (1.200)	35.56 (1.400)	40.64 (1.600)	45.72 (1.800)	50.80 (2.000)	55.88 (2.200)	60.96 (2.400)	66.04 (2.600)	71.12 (2.800)	76.20 (3.000)

DIMENSIONS UNIT:mm(inch)

ETB44**1 SERIES



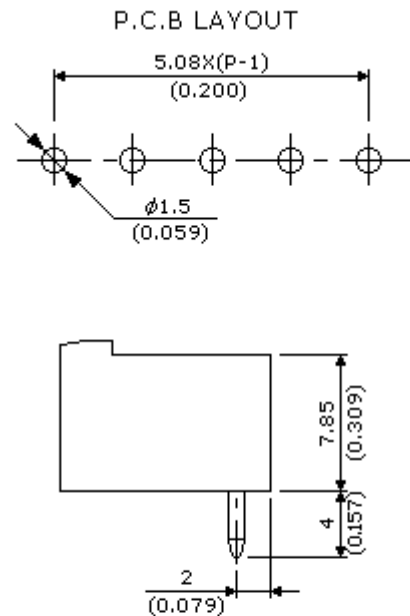
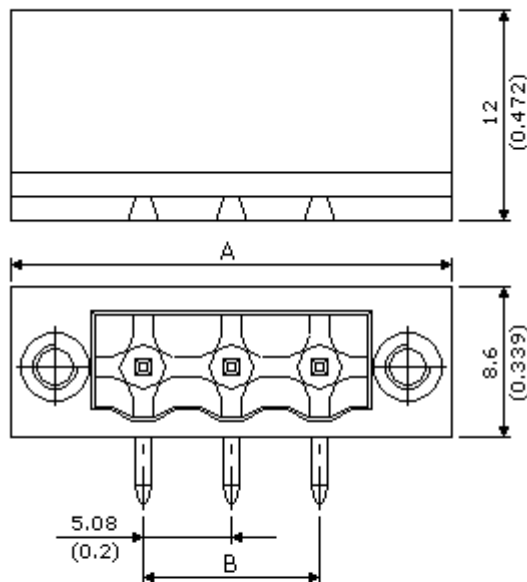
Pitch=5.08mm(0.2inch)

**NUMBER OF POLE 02~16.

POLE	2	3	4	5	6	7	8	9	10	11	12	13	14	15	16
A±0.8	20.32 (0.800)	25.40 (1.000)	30.48 (1.200)	35.56 (1.400)	40.64 (1.600)	45.72 (1.800)	50.80 (2.000)	55.88 (2.200)	60.96 (2.400)	66.04 (2.600)	71.12 (2.800)	76.20 (3.000)	81.28 (3.200)	86.36 (3.400)	91.44 (3.600)
B±0.5	5.08 (0.200)	10.16 (0.400)	15.24 (0.600)	20.32 (0.800)	25.40 (1.000)	30.48 (1.200)	35.56 (1.400)	40.64 (1.600)	45.72 (1.800)	50.80 (2.000)	55.88 (2.200)	60.96 (2.400)	66.04 (2.600)	71.12 (2.800)	76.20 (3.000)

DIMENSIONS UNIT:mm(inch)

ETB44**2 SERIES



Pitch=5.08mm(0.2inch)

**NUMBER OF POLE 02~16.

POLE	2	3	4	5	6	7	8	9	10	11	12	13	14	15	16
A±0.8	20.32 (0.800)	25.40 (1.000)	30.48 (1.200)	35.56 (1.400)	40.64 (1.600)	45.72 (1.800)	50.80 (2.000)	55.88 (2.200)	60.96 (2.400)	66.04 (2.600)	71.12 (2.800)	76.20 (3.000)	81.28 (3.200)	86.36 (3.400)	91.44 (3.600)
B±0.5	5.08 (0.200)	10.16 (0.400)	15.24 (0.600)	20.32 (0.800)	25.40 (1.000)	30.48 (1.200)	35.56 (1.400)	40.64 (1.600)	45.72 (1.800)	50.80 (2.000)	55.88 (2.200)	60.96 (2.400)	66.04 (2.600)	71.12 (2.800)	76.20 (3.000)